

# DH-IPC-UFW3259M-S-B-PRO

2MP WizColor Fixed-focal Bullet WizSense + Network Camera



**WizSense**

Launched by Dahua Technology, WizSense + is a series of AI products and solutions that adopt independent AI chip and deep learning algorithm. It focuses on human and vehicle with high accuracy, enabling users to fast act on defined targets. Based on Dahua's advanced technologies, WizSense + provides intelligent, simple and inclusive products and solutions.

## Series Overview

With advanced deep learning algorithm, Dahua WizSense + 3 Series network camera supports intelligent functions, such as perimeter protection and smart motion detection. With starlight technology, this series camera provides a better image effect in the condition of low illuminance.

## Functions

### WizColor Technology

Dahua WizColor Technology seamlessly combines with the powerful AI-ISP, large pixel size sensor and large aperture in cameras. This unique integration enables cameras to effortlessly capture high-quality images with vibrant colors during nighttime scenarios, ensuring fine details are preserved and minimizing motion blur. Unlike traditional self-illuminating cameras, Dahua WizColor Technology maximizes the utilization of weak light sources, such as moonlight and city lights reflected in the sky, delivering captivating full-color images of the entire scene. It also ensures that monitoring distances are not compromised at night due to limited illumination ranges, facilitating full-color image capture even over long distances.

### AI-ISP

With AI ISP technology, the camera is able to easily adapt to scenes, producing high quality images that reveal the fine details of targets.

### SMD 3.0

With intelligent algorithm, Dahua Smart Motion Detection technology can categorize the targets that trigger motion detection and filter the motion detection alarm triggered by non-concerned targets to realize effective and accurate alarm.

- 2-MP 1/2.9" CMOS image sensor, low luminance, and high definition image.
- Outputs max. 2 MP (1920 ×1080)@25/30 fps.
- H.265 codec, high compression rate, ultra-low bit rate.
- Built-in warm light, and the max. illumination distance is 55 m.
- ROI, SMART H.264+/H.265+, flexible coding, applicable to various bandwidth and storage environments.
- Rotation mode, WDR, 3D NR, HLC, BLC, digital watermarking, applicable to various monitoring scenes.
- Intelligent monitoring: Intrusion, tripwire (the two functions support the classification and accurate detection of vehicle and human)
- Abnormality detection: Motion detection, video tampering, audio detection, no SD card, SD card full, SD card error, network disconnection,
- IP conflict, illegal access, and voltage detection.
- Supports max. 512 G Micro SD card; built in Mic.
- 12 VDC/PoE power supply, easy for installation.
- IP67 protection.
- SMD 3.0.



### Perimeter Protection

With deep learning algorithm, Dahua Perimeter Protection technology can recognize human and vehicle accurately. In restricted area (such as pedestrian area and vehicle area), the false alarms of intelligent detection based on target type (such as tripwire, intrusion, fast moving, parking detection, loitering detection and gathering detection) are largely reduced.

### Smart H.265+ & Smart H.264+

With advanced scene-adaptive rate control algorithm, Dahua smart encoding technology realizes the higher encoding efficiency than H.265 and H.264, provides high-quality video, and reduces the cost of storage and transmission.

### Protection (IP67, Wide Voltage)

IP67: The camera passes a series of strict test on dust and soak. It has dust-proof function, and the enclosure can work normally after soaking in 1 m deep water for 30 minutes.

Wide voltage: The camera allows  $\pm 30\%$  (for some power supplies) input voltage tolerance (wide voltage range), and it is widely applied to outdoor environment with instable voltage.

### Technical Specification

#### Camera

Image Sensor	1/2.9" CMOS
Max. Resolution	1920 (H) × 1080 (V)
ROM	128 MB
RAM	256 MB
Scanning System	Progressive
Electronic Shutter Speed	Auto/Manual 1/2 s–1/100,000 s
Min. Illumination	0.0005 lux@F1.0
S/N Ratio	>56 dB
Illumination Distance	Up to 55 m (180.45 ft) (Warm light)
Illuminator On/Off Control	Auto;Manual
Illuminator Number	4 (Warm light)

#### Lens

Lens Type	Fixed-focal				
Lens Mount	M12				
Focal Length	3.6 mm; 6 mm				
Max. Aperture	F1.0				
Field of View	3.6 mm: H: 82°; V: 45°; D: 97° 6 mm: H: 54°; V: 30°; D: 63°				
Iris Control	Fixed				
Close Focus Distance	3.6 mm: 1.7 m (5.58 ft) 6 mm: 3.4 m (11.15 ft)				
DORI Distance	Lens	Detect	Observe	Recognize	Identify
	3.6 mm	55.7 m (182.74 ft)	22.3 m (73.16 ft)	11.1 m (36.42 ft)	5.6 m (18.37 ft)
	6 mm	85.7 m (281.17 ft)	34.3 m (112.53 ft)	17.1 m (56.10 ft)	8.6 m (28.22 ft)
	*DORI (Detect, Observe, Recognize, Identify) is a standard system (EN-62676-4) for defining the ability of a person viewing the video to distinguish persons or objects within a covered area. The numbers in this table do not reflect intelligent function distances. For intelligent function distances, refer to installation and commissioning manual/project design tool.				

#### Intelligence

IVS (Perimeter Protection)	Intrusion, tripwire (the two functions support the classification and accurate detection of vehicle and human)
SMD	SMD 3.0
Smart Search	Work together with Smart NVR to perform refine intelligent search, event extraction and merging to event videos

#### Video

Video Compression	H.265; H.264; H.264H; H.264B; MJPEG (Only supported by the sub stream)
Smart Codec	Smart H.265+; Smart H.264+

Video Frame Rate	Main stream: 1920×1080@(1–25/30 fps) sub stream: 704 × 576@(1–25 fps)/704 × 480@(1–30 fps) *The values above are the max. frame rates of each stream; for multiple streams, the values will be subjected to the total encoding capacity.
Stream Capability	2 streams
Resolution	1080p (1920 × 1080); 1.3M (1280 × 960); 720p (1280 × 720); D1 (704 × 576/704 × 480); VGA (640 × 480); CIF (352 × 288/352 × 240)
Bit Rate Control	CBR;VBR
Video Bit Rate	H.264: 32 kbps–6144 kbps; H.265: 12 kbps–6144 kbps
Day/Night	Color/B/W
BLC	Yes
HLC	Yes
WDR	130 dB
White Balance	Auto; natural; street lamp; outdoor; manual; regional custom
Gain Control	Auto/Manual
Noise Reduction	3D NR
Motion Detection	OFF/ON (4 areas, rectangular)
Region of Interest (RoI)	Yes (4 areas)
Smart Illumination	Yes
Image Rotation	0°/90°/180°/270° (Support 90°/270° with 1080p resolution and lower)
Mirror	Yes
Privacy Masking	4 areas
LDC	Yes
Audio	
Built-in MIC	Yes, built-in Mic(5m audio pickup)
Audio Compression	G.711a; G.711Mu; PCM; G.726
Alarm	
Alarm Event	No SD card; SD card full; SD card error; network disconnection; IP conflict; illegal access; motion detection; video tampering; tripwire; intrusion; audio detection; voltage detection; SMD; security exception
Network	
Network Port	RJ-45 (10/100 Base-T)
SDK and API	Yes
Network Protocol	IPv4; IPv6; HTTP; TCP; UDP; ARP; RTP; RTSP; RTCP; RTMP; SMTP; FTP; SFTP; DHCP; DNS; DDNS; QoS; UPnP; NTP; Multicast; ICMP; IGMP; NFS; PPPoE; P2P; Bonjour; Auto Registration
Interoperability	ONVIF (Profile S & Profile G & Profile T); CGI
User/Host	22 (Total bandwidth: 48 M)
Storage	FTP; SFTP; Micro SD card (support max. 512 GB); NAS
Browser	IE; Chrome; Firefox
Management Software	Smart PSS Lite; DSS; DMSS
Mobile Client	iOS;Android

<b>Security</b>	Trusted execution; Session security; Digest; Security logs; WSSE; Account lockout; Security warning; Syslog; 802.1x; IP/MAC filtering; HTTPS; Trusted upgrade; Trusted boot; Generation and importing of X.509 certification
<b>Certification</b>	
<b>Certifications</b>	CE-LVD: EN62368-1; CE-EMC: Electromagnetic Compatibility Directive 2014/30/EU
<b>Power</b>	
<b>Power Supply</b>	12 VDC; PoE
<b>Power Consumption</b>	Basic: 1.5 W (12 VDC); 1.9 W (PoE); Max. : 5.3 W (12 VDC); 6.3 W (PoE) (H.265+ intelligence on + WDR + illuminator intensity)
<b>Environment</b>	
<b>Operating Temperature</b>	-40 °C to +60 °C (-40 °F to +140 °F)
<b>Operating Humidity</b>	≤95% (RH), non-condensing
<b>Storage Temperature</b>	-40 °C to +60 °C (-40 °F to +140 °F)
<b>Storage Humidity</b>	≤95% (RH), non-condensing
<b>Protection</b>	IP67
<b>Structure</b>	
<b>Casing Material</b>	Metal + plastic
<b>Product Dimensions</b>	201.0 mm × 103.8 mm × 97.8 mm (7.91" × 4.09" × 3.85") (L × W × H)
<b>Net Weight</b>	0.66 kg (1.46 lb)
<b>Gross Weight</b>	1.25 kg (2.76 lb)

**Accessories**

**Included:**



DH-PFB120WS  
Wall Mount  
Bracket

**Optional:**



DH-PFA162  
Universal  
joint



DH-PFB110W  
Ceiling Mount  
Bracket



DH-PFA150  
Pole Mount  
Bracket



DH-PFB121W  
Wall Mount  
Bracket



DH-PFA121  
Water-proof  
Junction Box



G3416GW  
G3/4" Water Joint



DH-PFA152-E  
Pole Mount  
Bracket



DH-PFM321-EN  
DC12V 1A power adapter



DH-PFM321D-EN  
DC12V 1A power adapter



DH-PFM320D-EN  
DC12V 2A power adapter

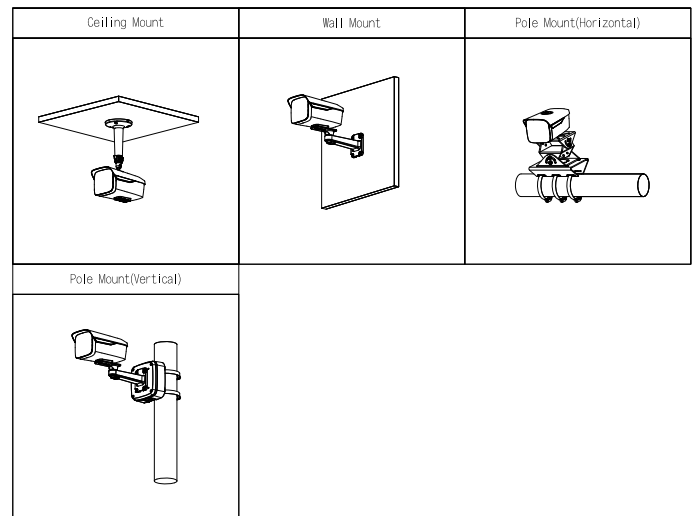


PFM900-E  
Integrated Mount Tester



DHI-TF-P100/256GB  
MicroSD Card

<b>Ordering Information</b>		
Type	Model	Description
2MP Camera	DH-IPC-UFW3259M-S-B-PRO	2MP WizColor Fixed-focal Bullet WizSense + Network Camera
Accessories	DH-PFB120WS	Wall Mount Bracket
	DH-PFA162	Universal Joint
	DH-PFB110W	Ceiling Mount Bracket
	DH-PFA150	Pole Mount Bracket
	DH-PFB121W	Wall Mount Bracket
	DH-PFA121	Water-proof Junction Box
	G3416GW	G3/4" Water Joint
	DH-PFA152-E	Pole Mount Bracket
	DH-PFM321-EN	DC12V 1A Power Adapter
	DH-PFM321D-EN	12 VDC 1 A Power Adapter
	DH-PFM320D-EN	12 VDC 2 A Power Adapter
	PFM900-E	Integrated Mount Tester
	DHI-TF-P100/256GB	MicroSD Card



**Dimensions (mm[inch])**

